

FIGURE 1: CROSS SECTION

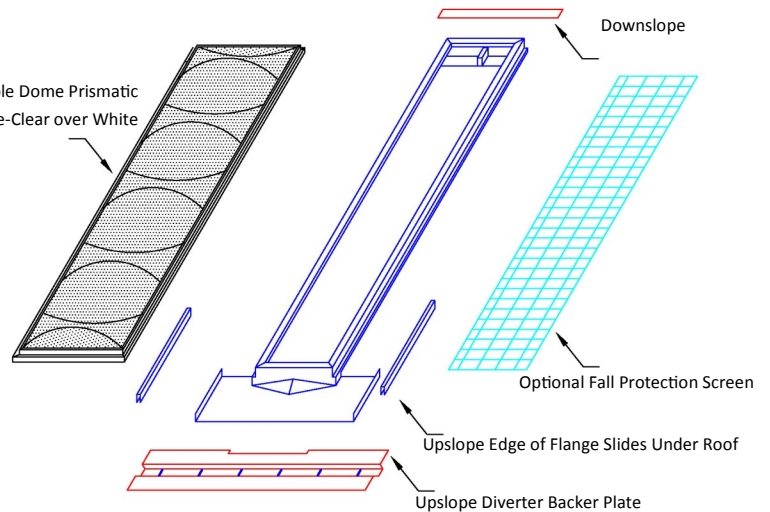
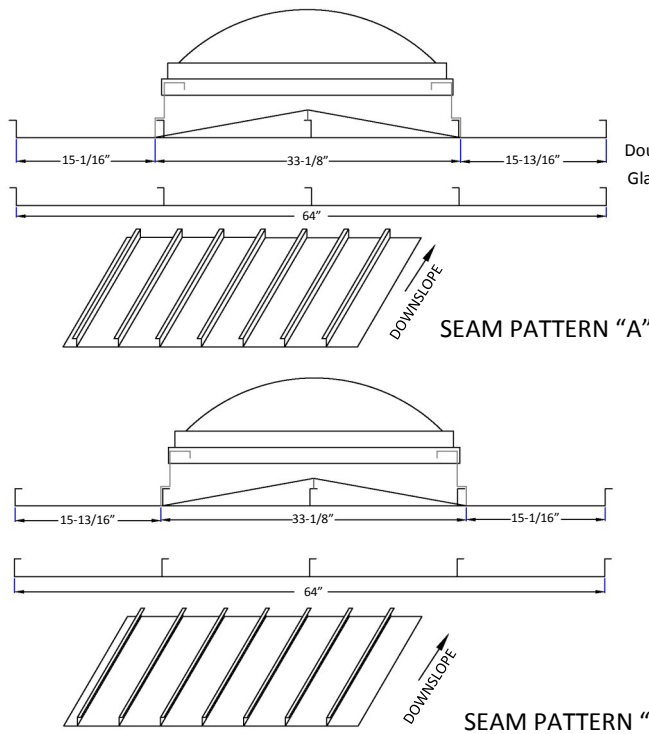
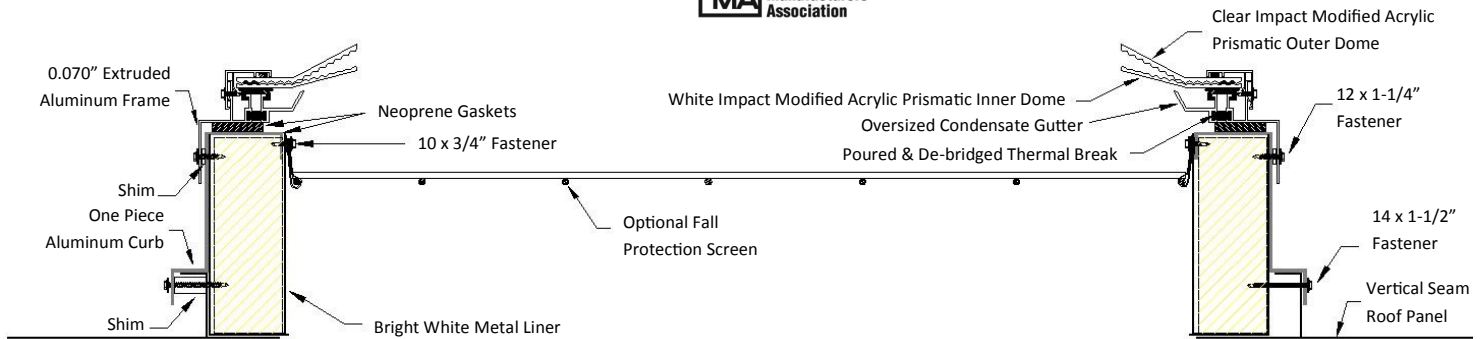


FIGURE 2: RS32 KIT

CONSTRUCTION

- 0.080" Aluminum Under/Over Fully Welded & Assembled Curb
- 0.070" Extruded Aluminum Thermally Broken Skylight Frame
- 2" Rigid Vertical Insulation with Liner
- 1/8" x 1" Neoprene Gasket Seals Skylight Frame
- Clear, 100% Impact Modified Acrylic Prismatic 0.177" Outer Dome
- White, 100% Impact Modified Acrylic Prismatic 0.118" Inner Dome
- 2-1/2" Triple Bead Mastic Tape, Polyurethane Sealant
- #5 Tek Shoulder Screws
- Long-Life Self Drillers w/ Washers: 12-14 x 1-1/4" & 14 x 1-1/2"
- Long-Life Self Drillers w/o Washers: 12 x 1-1/4" & 10 x 3/4"
- Expansion Joint Covers with 1/4" Flanged Shoulder Spacers

PERFORMANCE

- 70% Visible Light Transmittance with 100% Haze Factor
- 0.50 Solar Heat Gain Coefficient
- 0.65 U Factor or 1.54 R Value
- AAMA/WDMA/CSA 101/I.S.2/A440-08

OPTIONS

- 4" x 4" x 3/16" galvanized steel fall protection screen
- RS24 Custom Length—Increments of 5': _____
- Panel Offset Height: 3/8", 1-3/8", Custom _____
- Liner Height: 5-7/8", Custom _____
- Liner Base: 3", Custom _____

Customer	Date	Model	Quantity
Project Name	Roof Panel	Panel Seam Pattern "A" or "B"	Panel Offset Height 3/8" or 1-3/8"