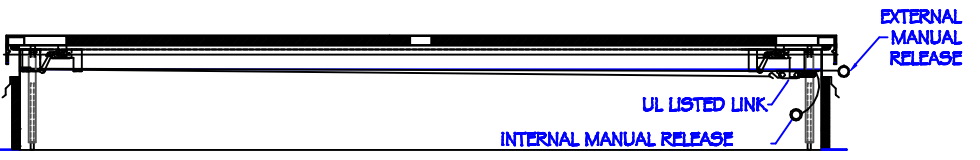
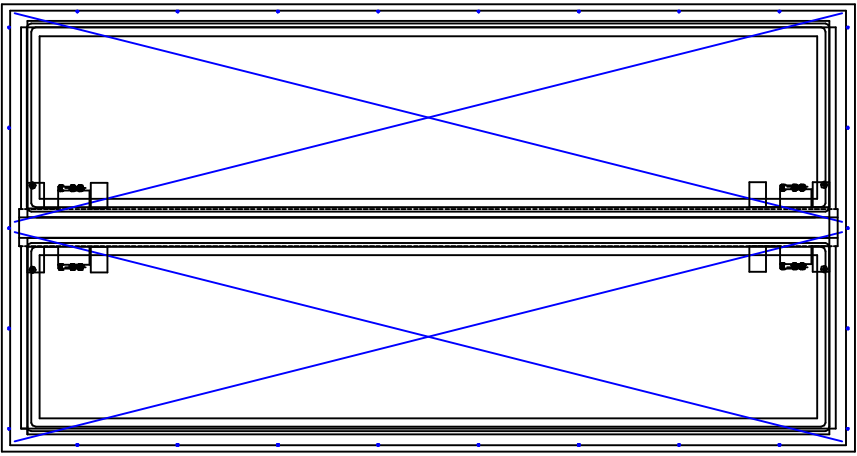
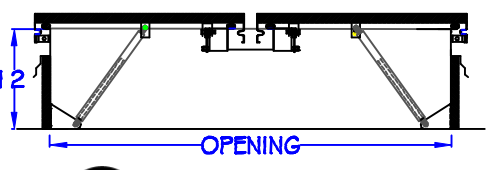
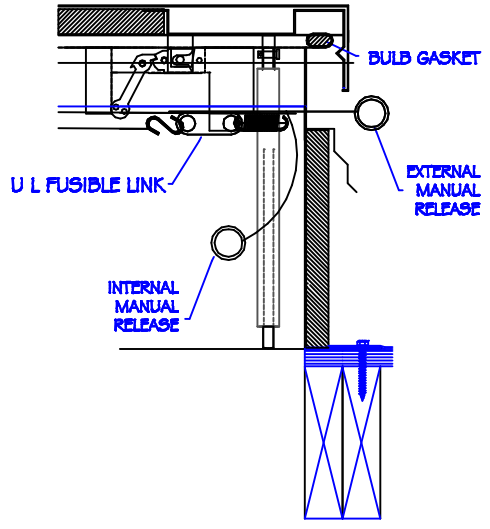
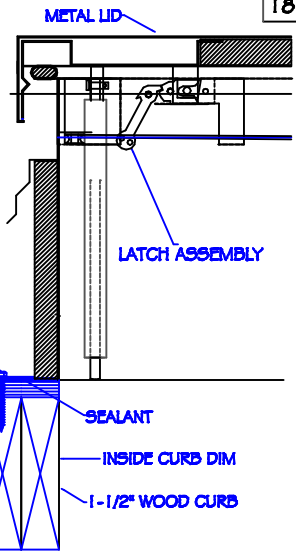
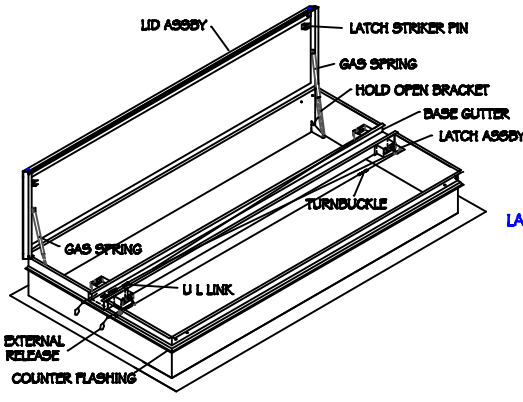


**SPECIFICATIONS**

1. Steel Base 18 GA G90 Galvanized Std
2. Aluminum Base 0.063" Aluminum
3. Steel Lid 20 GA G90 Galvanized Steel
4. Aluminum Lid 0.063" Aluminum
5. Full Penmeter Dome Caps and Longlife Screws
6. Dome Sealants and Condensate Provisions
7. Insulation Minimum 1" Thick R7.2
8. Insulation Liner 22 GA G90 Steel
9. Full Penmeter Bulb Gaskets
10. Hinges and Latches 12 GA G90 Galvanized Steel
11. Integral Inside and Outside Manual Releases
12. High Performance Gas Springs with Holdopen
13. UL Listed Fusible or McCabe Resettable Links
14. Zinc, CAD Plated, and Stainless Hardware
15. Lids Open against a 10 PSF Load
16. Lids Remain Closed under Minimum 30 PSF Uplift
17. Lids rated for a 40 PSF Live Load
18. Latches Rated for 90 PSF Uplift



| QUANTITY | MODEL | INSIDE CURB OPENING SIZE | LIVE LOAD CAPACITY (PSF) |
|----------|-------|--------------------------|--------------------------|
|          | 4848  | 48" x 48"                | 10                       |
|          | 4872  | 48" x 72"                | 10                       |
|          | 4890  | 48" x 90"                | 10                       |
|          | 4896  | 48" x 96"                | 10                       |
|          | 6060  | 60" x 60"                | 10                       |
|          | 6072  | 60" x 72"                | 10                       |
|          | 6090  | 60" x 90"                | 10                       |
|          | 6096  | 60" x 96"                | 10                       |

**R # S MANUFACTURING AND SALES CO., INC**  
 3575 Old Conejo Rd.  
 Newbury Park, CA 91320  
 (805)375-3980  
 fax 375-3981

|                          |                    |                    |                 |
|--------------------------|--------------------|--------------------|-----------------|
| CUSTOMER                 |                    | JOB NAME           |                 |
| MODEL                    | LINK TYPE          | LIVE LOAD CAPACITY | UPLIFT CAPACITY |
| ULSH-___-SLD-SF-165-F-10 | FUSIBLE            | 10 PSF             | 30 PSF          |
| LINK TEMP                | OUTER DOME GLAZING | INNER DOME GLAZING | Date            |
| 165 F                    | METAL LID          | N/A                | 11/04/09        |
|                          |                    |                    | DRAWING #       |
|                          |                    |                    | ULSH-1002       |