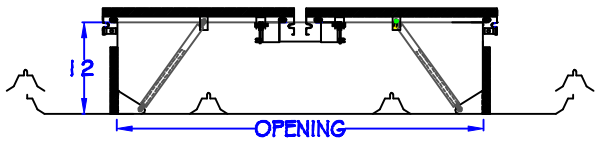
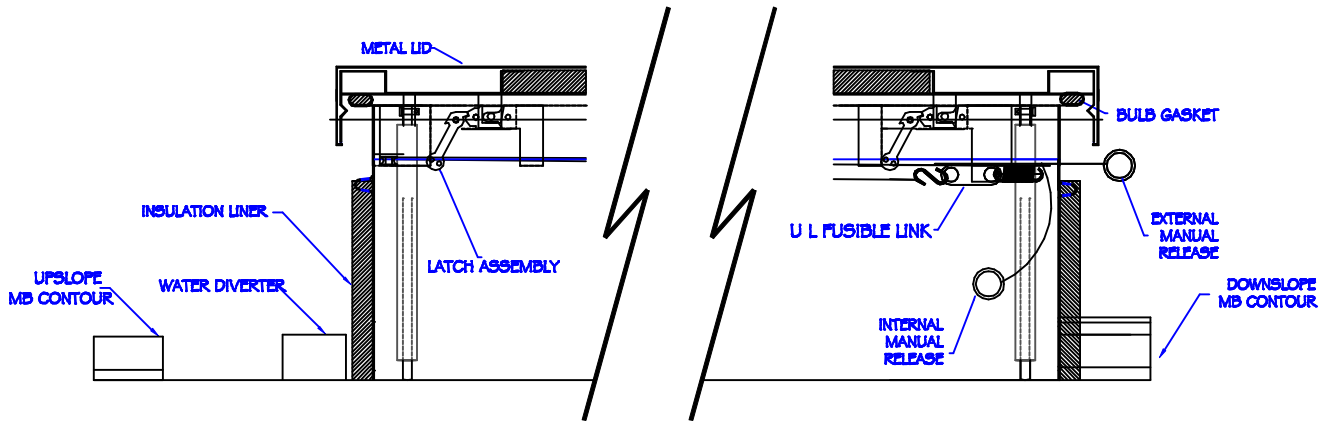
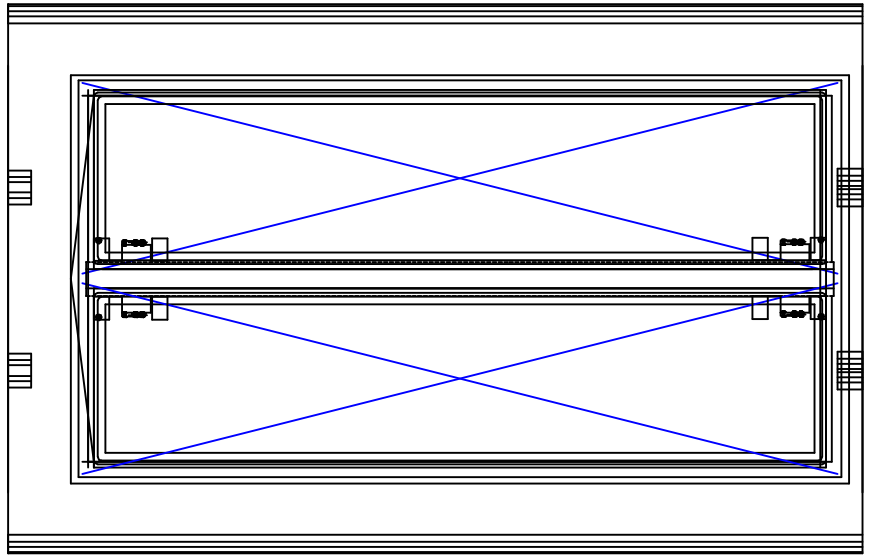


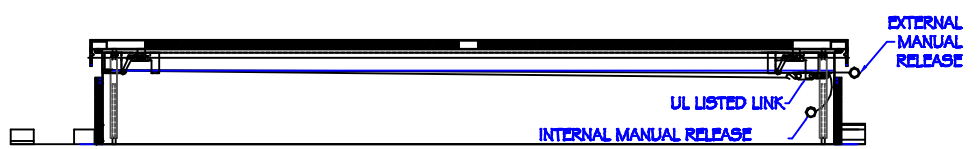
SPECIFICATIONS	
1. Steel Base 18 GA G90 Galvanized Stl	
2. Aluminum Base 0.063" Aluminum	
3. Steel Lid 20 GA G90 Galvanized Steel	
4. Aluminum Lid 0.063" Aluminum	
5. Full Perimeter Dome Caps and Longlife Screws	
6. Dome Sealants and Condensate Provisions	
7. Insulation Minimum 1" Thick R7.2	
8. Insulation Liner 22 GA G90 Steel	
9. Full Perimeter Bulb Gaskets	
10. Hinges and Latches 12 GA G90 Galvanized Steel	
11. Integral Inside and Outside Manual Releases	
12. High Performance Gas Springs with Holdopen	
13. UL Listed Fusible or McCabe Resettable Links	
14. Zinc, CAD Plated, and Stainless Hardware	
15. Lids Open against a 10 PSF Load	
16. Lids Remain Closed under Minimum 30 PSF Uplift	
17. Lids rated for a 40 PSF Live Load	
18. Latches Rated for 90 PSF Uplift	



**UL**  
US LISTED  
AUTOMATICALLY  
OPERATED  
ROOF VENT  
28KG



QUANTITY	MODEL	INSIDE CURB OPENING SIZE	LIVE LOAD CAPACITY (PSF)
	4848	48" x 48"	10
	4872	48" x 72"	10
	4890	48" x 90"	10
	4896	48" x 96"	10
	6060	60" x 60"	10
	6072	60" x 72"	10
	6090	60" x 90"	10
	6096	60" x 96"	10



**R & S MANUFACTURING AND SALES CO., INC**  
3575 Old Conejo Rd.  
Newbury Park, CA 91320  
(805)375-3980  
fax 375-3981

CUSTOMER		JOB NAME	
MODEL	LINK TYPE	LIVE LOAD CAPACITY	UPLIFT CAPACITY
ULSH-___-SLD-MBXSC-165-F-10	FUSIBLE	10 PSF	30 PSF
LINK TEMP	OUTER DOME GLAZING	INNER DOME GLAZING	Date
165 F	METAL LID	N/A	11/05/09
			DRAWING #
			ULSH-1011