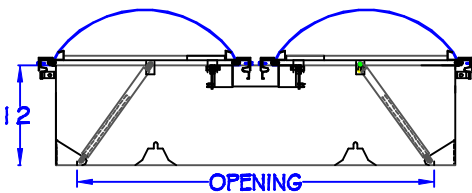
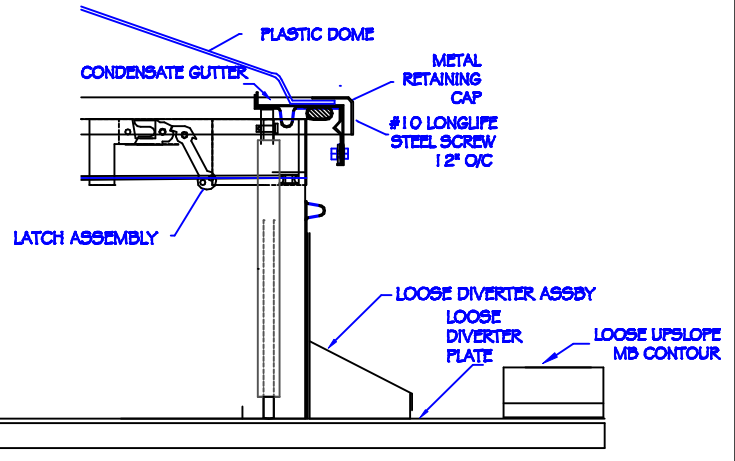
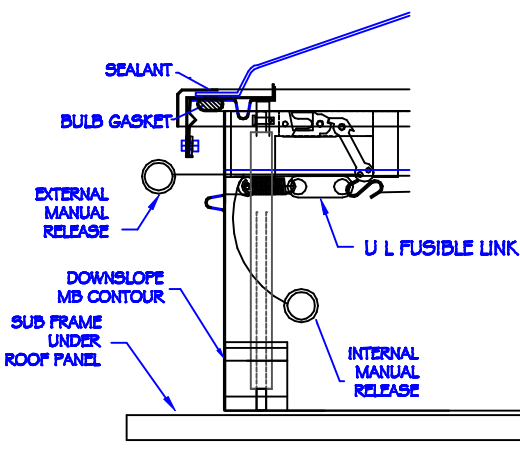
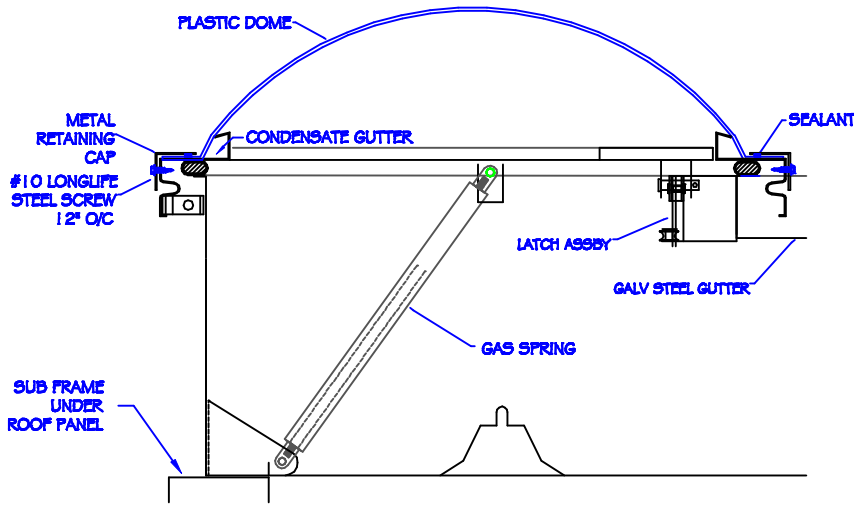
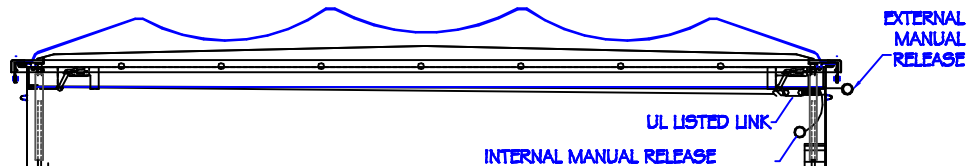
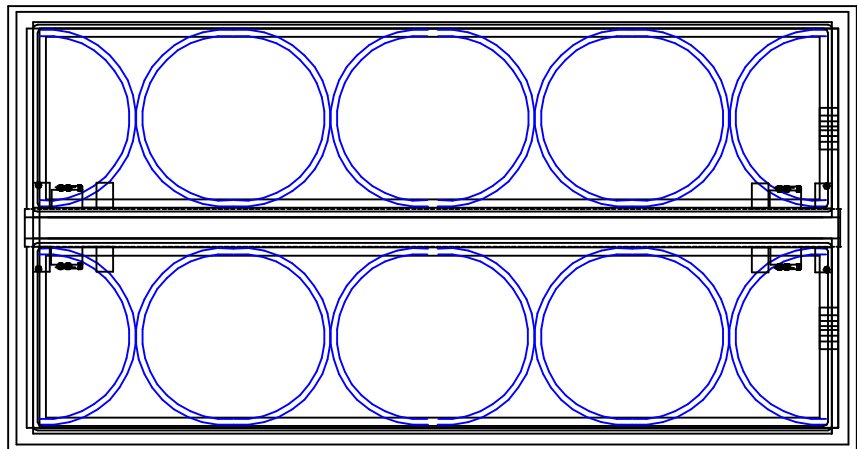


### SPECIFICATIONS

1. Steel Lid Frame & Base 18 GA G90 Galvanized Sti
2. Aluminum Lid Frame and Base 0.063" Aluminum
3. Outer Dome 0.118" White Copolyester Plastic
4. Inner Dome Clear 0.030" Plastic when Spec'd
5. Full Perimeter Dome Caps and Longlife Screws
6. Dome Sealants and Condensate Provisions
7. Insulation Minimum 1" Thick R7.2 when Specified
8. Insulation Liner 22 GA G90 Steel when Specified
9. Full Perimeter Bulb Gaskets
10. Hinges and Latches 12 GA G90 Galvanized Steel
11. Integral Inside and Outside Manual Releases
12. High Performance Gas Springs with Holdopen
13. UL Listed Fusible or McCabe Resettable Links
14. Zinc, CAD Plated, and Stainless Hardware
15. Lids Open against a 10 PSF Load
16. Lids Remain Closed under Minimum 30 PSF Uplift
17. Latches Rated for 90 PSF Uplift



US LISTED  
AUTOMATICALLY  
OPERATED  
ROOF VENT  
28KG



QUANTITY	MODEL	INSIDE CURB OPENING SIZE	LIVE LOAD CAPACITY (PSF)
	4896	43" x 91"	10
	6060	55" x 55"	10
	6072	55" x 67"	10
	6096	55" x 91"	10

**R & S MANUFACTURING AND SALES CO., INC**  
3575 Old Conejo Rd.  
Newbury Park, CA 91320  
(805)375-3980  
fax 375-3981

CUSTOMER		JOB NAME	
MODEL	LINK TYPE	LIVE LOAD CAPACITY	UPLIFT CAPACITY
ULSH-___SDA-MB2-IF-165-F-10	FUSIBLE	10 PSF	30 PSF
LINK TEMP	OUTER DOME GLAZING	INNER DOME GLAZING	Date
165 F	MEDIUM WHITE	N/A	11/05/09
			DRAWING #
			ULSH-1015