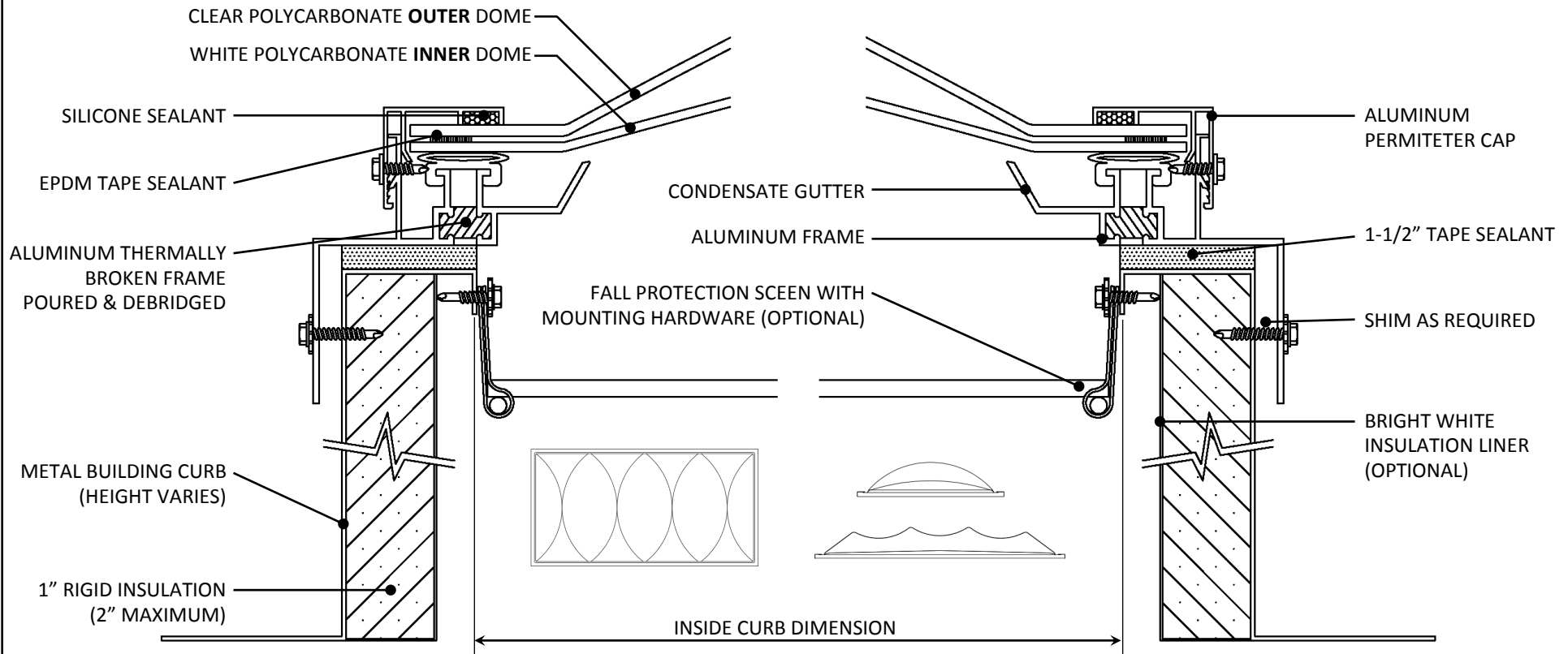


RS POLYCARBONATE DOUBLE DOME SKYLIGHT WITH ALUMINUM THERMALLY BROKEN FRAME

INTEGRATED METAL BUILDING CURB



CUSTOMER:		SPECIFICATIONS		MODEL #	INSIDE CURB DIMENSION	QTY
PROJECT:		SKYLIGHT GLAZING		4848-ATB-DD-CAP/WAP-MB	48" x 48"	
PROJECT ADDRESS:		0.118" Clear Polycarbonate Outer Dome 0.118" White Polycarbonate Inner Dome		4896-ATB-DD-CAP/WAP-MB	48" x 96"	
ARCHITECT:		SKYLIGHT FRAME		2260-ATB-DD-CAP/WAP-MB	21.75" x 55.5"	
PREPARED BY:	SUBMITTAL DATE:	6063-T6 Extruded Aluminum—Mill Finish Thermally Broken (Poured & Debridged)		22120-ATB-DD-CAP/WAP-MB	21.75" x 116"	
JOB #:	DRAWING #:	PERFORMANCE		2448-ATB-DD-CAP/WAP-MB	24" x 48"	
APPROVED BY:	APPROVAL DATE:	VLT: 0.60 SHGC: 0.26 U-Factor: 0.65		2496-ATB-DD-CAP/WAP-MB	24" x 96"	
R&S Manufacturing and Sales Co. 3575 Old Conejo Road Manufacturing and Sales Newbury Park, CA 91320		T: 805.375.3980 / F: 805.375.3981 sales@RnSsales.com www.RnSsales.com		CERTIFICATIONS		
				AAMA/WDMA/CSA 101/I.S.2/A440-08 Miami Dade County Control Approved		32120-ATB-DD-CAP/WAP-MB
CONTACT R&S FOR ADDITIONAL SIZES						