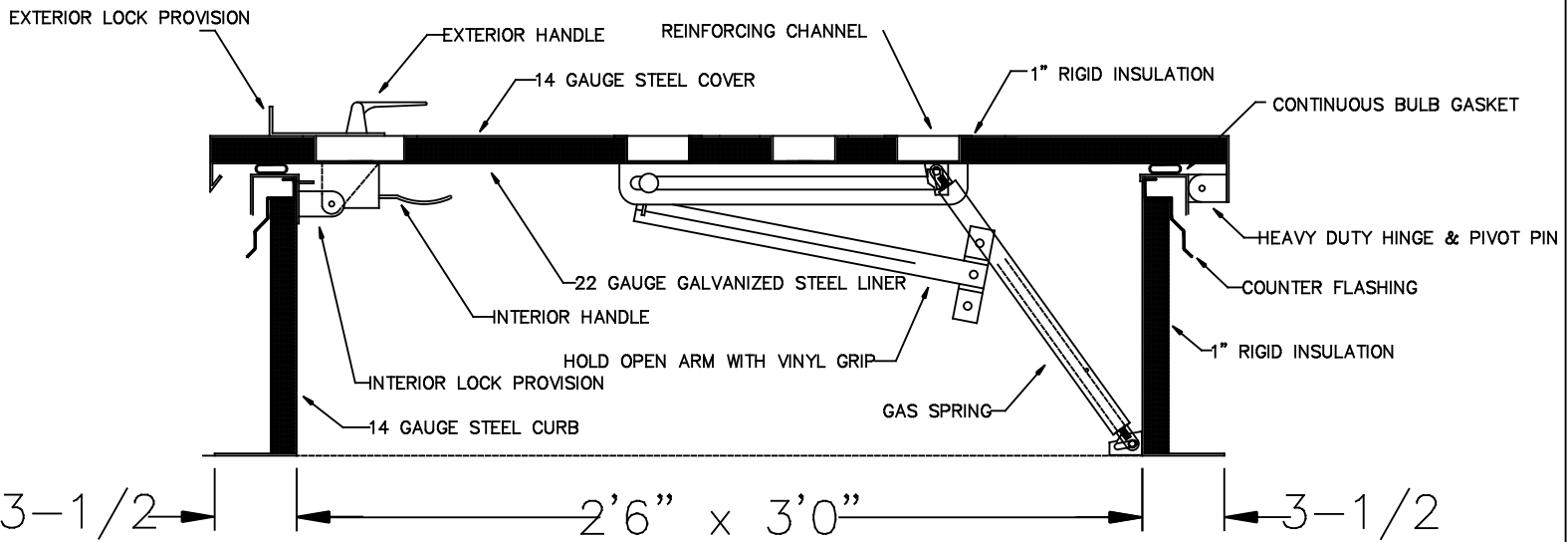


SPECIFICATIONS

1. Steel Lid Frame & Base 14 GA Galvanized or Aluminized Steel
2. Aluminum Lid Frame and Base 0.080" Aluminum
3. Insulation Minimum 1" Thick R7.2 when Specified
4. Insulation Liner 22 GA G90 Steel when Specified
5. Full Perimeter Bulb Gaskets
6. Hinges and Latches 12 GA G90 Galvanized Steel
7. Integral Inside and Outside Manual Releases
8. High Performance Gas Spring(s) with Holdopen
9. Zinc, CAD Plated, and Stainless Hardware
10. Lids Remain Closed under Minimum 30 PSF Uplift



QUANTITY	MODEL	INSIDE CURB OPENING SIZE
	2020	24" x 24"
	2630	30" x 36"
	3030	36" x 36"
	3636	42" x 42"
	4040	48" x 48"

R & S SALES CO., INC
 3575 Old Conejo Rd.
 Newbury Park, CA 91320
 (805)375-3980
 fax 375-3981

CUSTOMER		JOB NAME	
MODEL RAH-2630-SF			
MATERIAL ALUMINIZED STEEL	Date 6-11-08	DRAWING # RAH-SF	