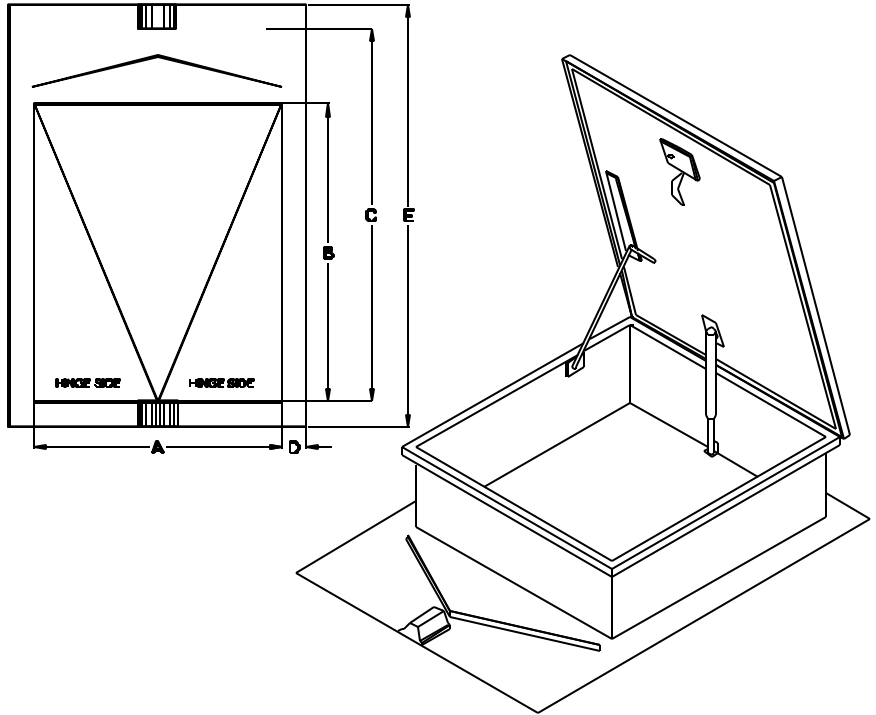


MODEL RAH-MB8 METAL BUILDING ROOF ACCESS HATCH & CURB

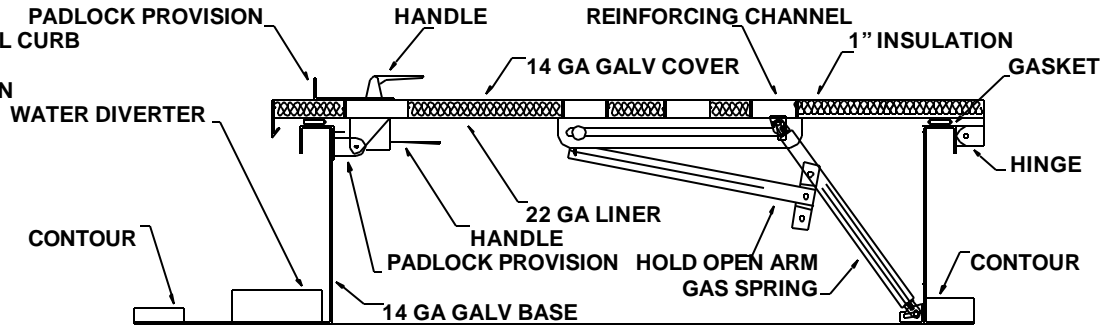
SPECIFICATIONS:

- INSIDE OPENING 2'6" x 3'0"
- HEAVY DUTY INTERIOR/EXTERIOR OPENING DEVICE WITH PADLOCK PROVISIONS
- SPRING OPERATOR ASSEMBLIES
- INSULATED LID WITH 22 GA LINER
- HOLD OPEN ARM
- HEAVY DUTY HINGE ON 30" DOWNSLOPE SIDE WITH 3/8" PIVOT PINS
- INTEGRAL 14 GAUGE NON-PITCHED ALUMINIZED STEEL MB CURB
- 12" UPSLOPE CURB HEIGHT
- ALL WELDED CURB CONSTRUCTION CORNERS WELDED
- UPSLOPE FLANGE WITH "UNDER" CONTOURS AND A WATER DIVERTER
- DOWNSLOPE WITH "OVER" CONTOURS



OPTIONS:

- INSULATED DOUBLE WALL CURB
- SPECIAL HINGE LOCATION
- DOMED LID
- AIR DRY ENAMEL FINISH (CURB ONLY) -
 - WHITE
 - CUSTOM COLOR
- SPECIAL SIZES
- SPECIAL RIB PLACEMENT
- WIDE FLANGES
 - UPSLOPE
 - SIDE
 - DOWNSLOPE
- CRICKET IN LIEU OF DIVERTER
- SUB FRAMING
- 2-1/2" WIDE MASTIC



MODEL	INSIDE CURB DIM A	CURB DIM B	DIM C	DIM D	DIM E	QTY
RAH2630MB8	30"	36"	45"	3"	51"	

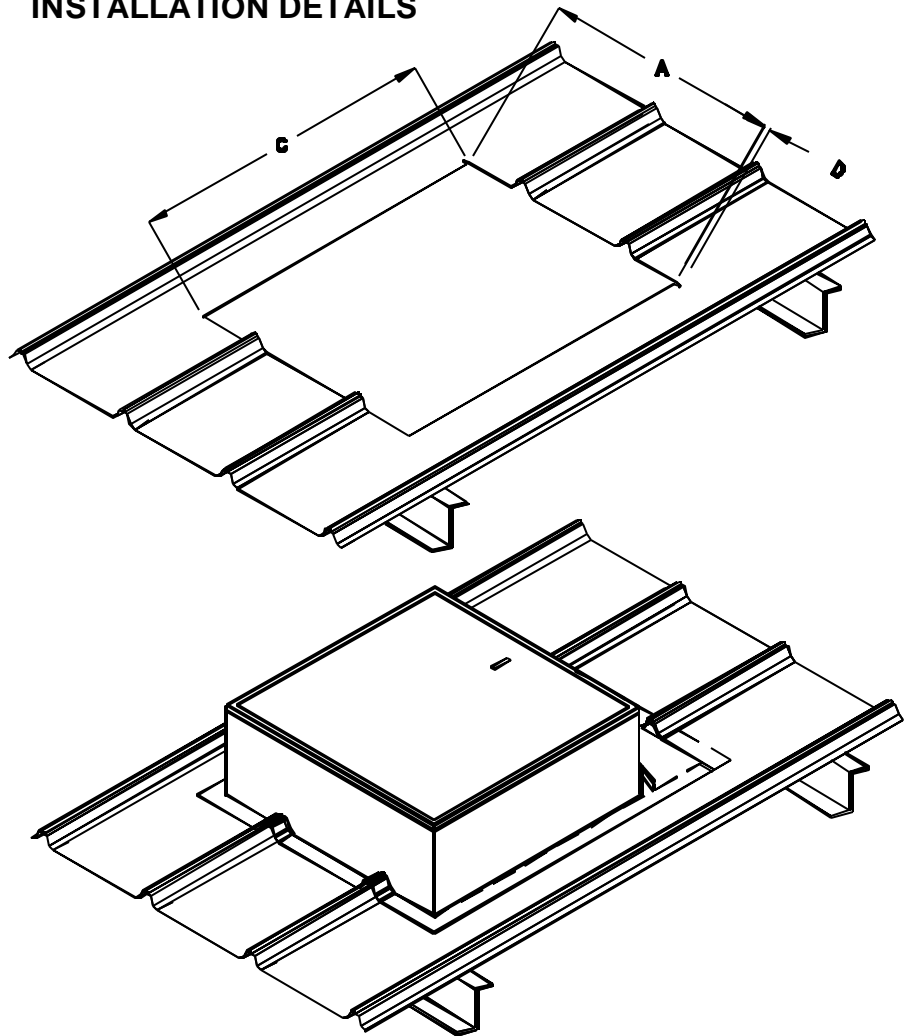
ROOF PANEL MANUFACTURER	PANEL MODEL

PROJECT _____ CONTRACTOR _____
 LOCATION _____ APPROVED BY _____
 DATE _____ DATE APPROVED _____

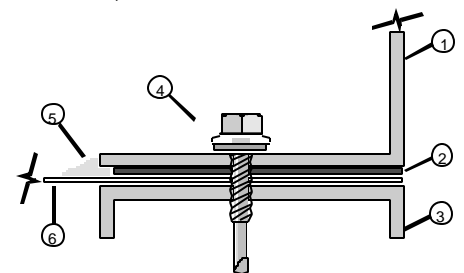
R & S SALES COMPANY, INC.
 3575 Old Conejo Road, NEWBURY PARK, CA 91320
 PHONE 805-375-3980 FAX 805-375-3981

MODEL RAH-MB7 & RAH-MB8 INSTALLATION DETAILS

1. On a fully sheeted roof, mark centerline of roof opening.
2. Use centerline of major rib as a guide and lay out roof opening to match the curb "A", "C", & "D" dimensions.
3. Cut roof opening per building manufacturer's recommendations. Slit upslope edges of rough opening ("D") for side flange clearance at transition point.
4. Install structural support framing for curb and equipment loads. Keep inside dimension clear. A minimum of two parallel curb walls should be supported. Avoid cantilever sections in excess of 12".
5. Apply mastic or sealant tape at points where curb meets roof panel. Apply to roof panel at curb side, and downslope flanges. Apply to curb upslope flange. Use only accessories as recommended by the building manufacturer.
6. Press curb into place on the roof panel. Upslope flange goes under roof panel; sides and downslope over roof panel.
7. Fasten the curb to support structure through curb flange and roof panel using fasteners compatible with the roof system. Use a minimum of four fasteners per side on maximum 4" centers.
8. Check tightness of fasteners and general integrity of installation. Caulk perimeter edge of curb flanges to roof panel.

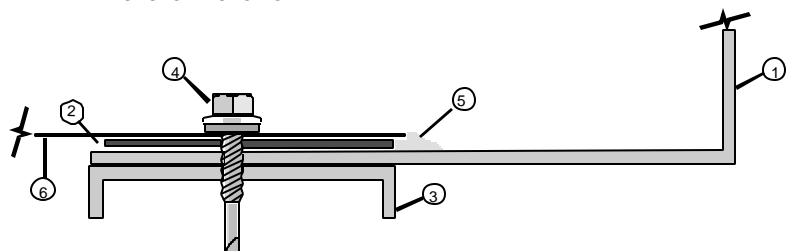


SIDE, & DOWNSLOPE SECTIONS



1. ROOF CURB WALL
2. TAPE MASTIC
3. SUPPORT FRAMING
4. COMPATIBLE FASTENER
5. SILICONE/URETHANE SEALANT
6. ROOF PANEL

UPSLOPE SECTION



R & S SALES COMPANY, INC.
3575 Old Conejo Road, NEWBURY PARK, CA 91320
PHONE 805-375-3980 FAX 805-375-3981