

MODEL RAH-MB2-IF METAL BUILDING ROOF ACCESS HATCH & CURB

SPECIFICATIONS:

INSIDE OPENING 2'1" x 2'9"

HEAVY DUTY INTERIOR/EXTERIOR
OPENING DEVICE WITH PADLOCK
PROVISIONS

SPRING OPERATOR ASSEMBLIES

INSULATED LID WITH 22 GA LINER

HOLD OPEN ARM

HEAVY DUTY HINGE ON 30" DOWNSLOPE
SIDE WITH 3/8" PIVOT PINS

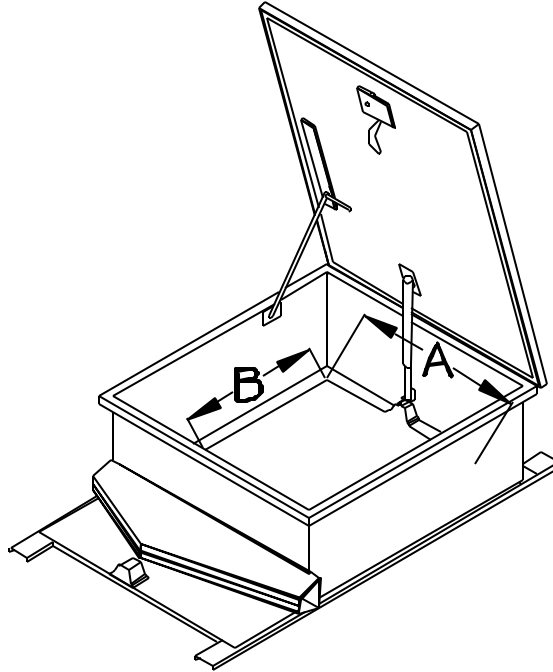
14 GAUGE NON-PITCHED ALUMINIZED STEEL
MB CURB

15" UPSLOPE CURB HEIGHT

ALL WELDED CURB CONSTRUCTION
CORNERS WELDED

UPSLOPE FLANGE WITH LOOSE "UNDER"
CONTOURS AND A WATER CRICKET

DOWNSLOPE WITH "OVER" CONTOURS



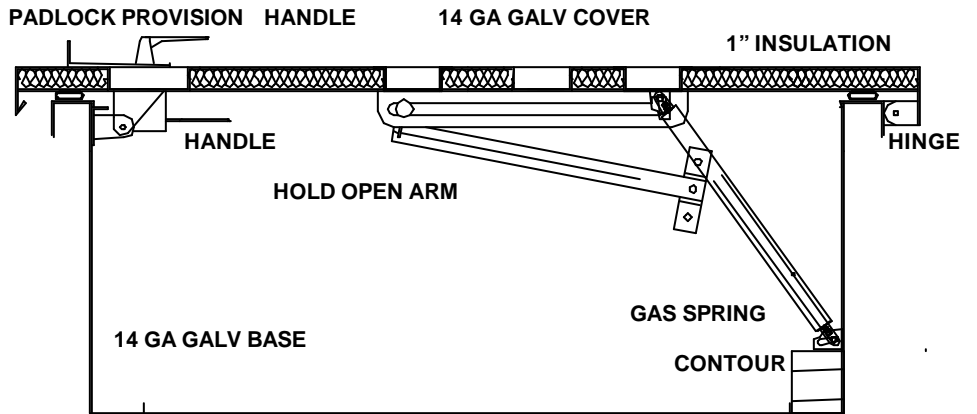
OPTIONS:

SPECIAL HINGE LOCATION

SPECIAL SIZES

SPECIAL RIB PLACEMENT

SUB FRAMING



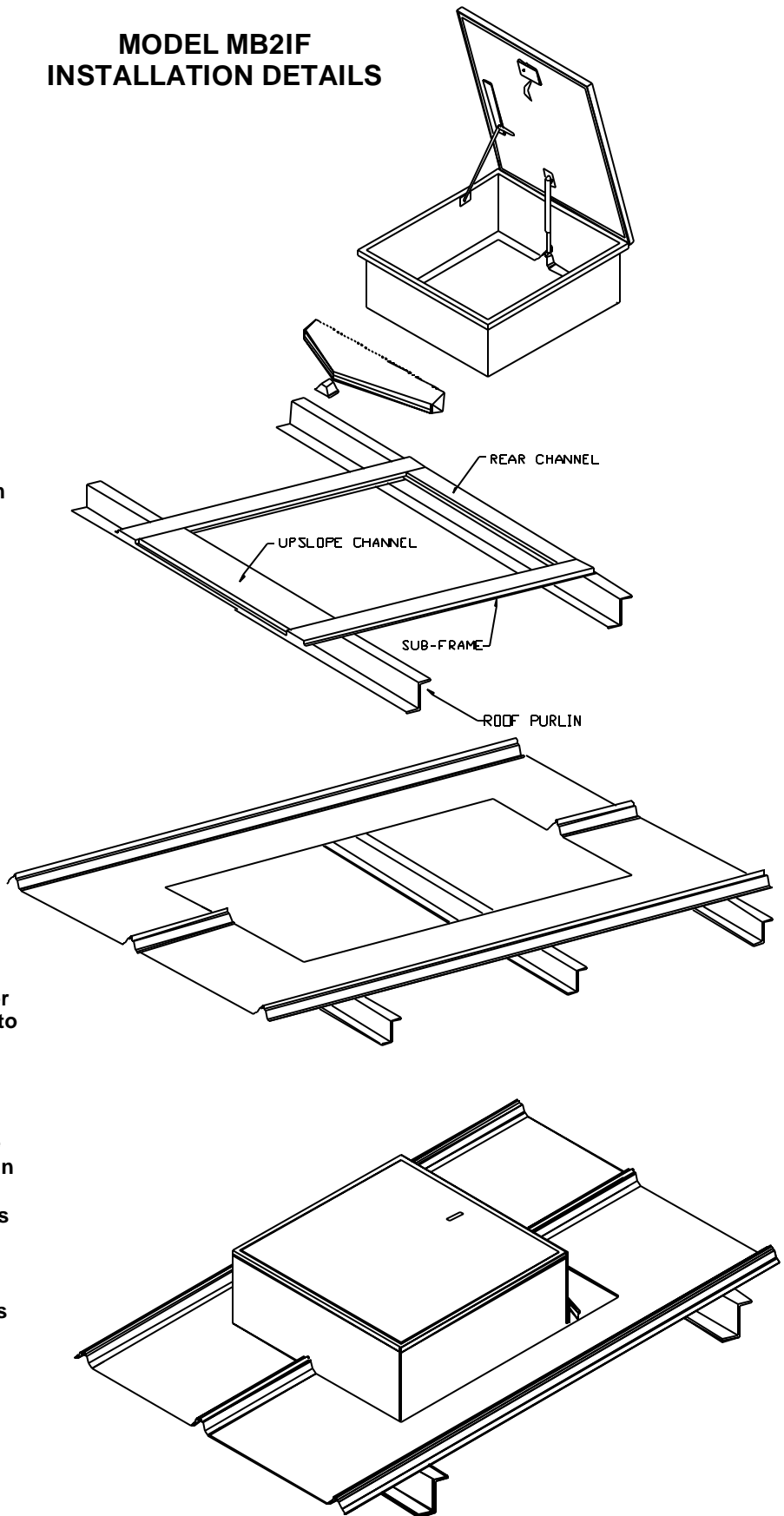
MODEL	INSIDE CURB DIM A	CURB DIM B	QTY
RAH2630MB2IF	25"	31"	
ROOF PANEL MANUFACTURER		PANEL MODEL	

PROJECT _____ CONTRACTOR _____
 LOCATION _____ APPROVED BY _____
 DATE _____ DATE APPROVED _____

R & S SALES COMPANY, INC.
 3575 Old Conejo Road, NEWBURY PARK, CA 91320
 PHONE 805-375-3980 FAX 805-375-3981

MODEL MB2IF INSTALLATION DETAILS

1. On a fully sheeted roof, locate & mark centerline of roof opening. Place curb over panels and use inside edge as a template to mark roof opening. Add 11-1/4" to the upslope inner edge and maintain at least 6" from the centerline of the roof panel attachment clips. Cut roof opening per manufacturer's recommended procedure. Install side and rear support channels by positioning them between the roof structure and roof panel. Locate the edge of the roof panel on the diverter plate, and mark 2-1/2" from the upslope edge. Apply tape mastic (minimum 1-1/2") along the line on the diverter plate. Mark the edge of the roof opening on the diverter plate and place mastic on each side with 1/4" exposed to the inside edge. Do not lap mastic. Apply a gun grade polyurethane sealant at each corner. Locate the upslope closure plugs and install with bolts. Apply a gun grade polyurethane sealant over the mastic and closure plugs. Install the diverter plate between the side channels and roof panel.
2. Apply mastic around curb opening with butt joints and a gun grade polyurethane sealant over the mastic. Align the curb edges over the opening and place the curb over the roof opening. Secure the curb to the roof panel using C clamps. Fasten with stainless steel self drilling fasteners 6" on center.
3. Apply tape mastic around the edge of the diverter angle bottom and gun grade polyurethane sealant to the outer edge of the curb front corners and along the junction of the roof panel, curb, and diverter plate. Attach the diverter plate with stainless steel self drilling fasteners and secure the roof panel to the diverter plate 2" on center 3/4" from the panel edge. Install the diverter angle cover. Apply gun grade polyurethane sealant to the downslope contours and curb perimeter as required.



R & S SALES COMPANY, INC.
3575 Old Conejo Road, NEWBURY PARK, CA 91320
PHONE 805-375-3980 FAX 805-375-3981