



ADJUSTABLE LOUVER FILTER RACK

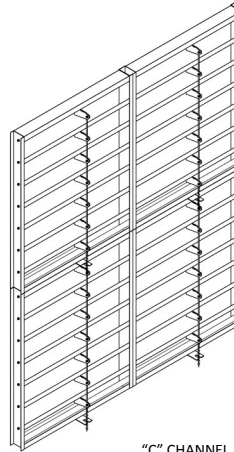
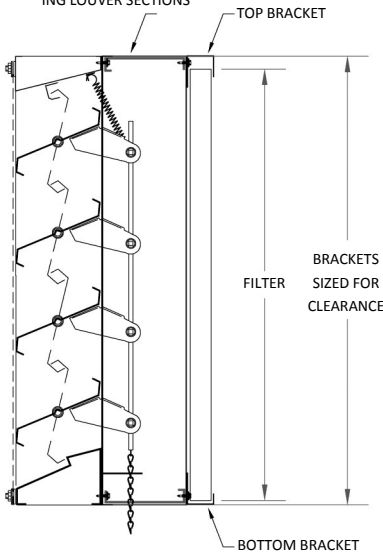
formed aluminum or steel to match louver

Model:
ALFR-X

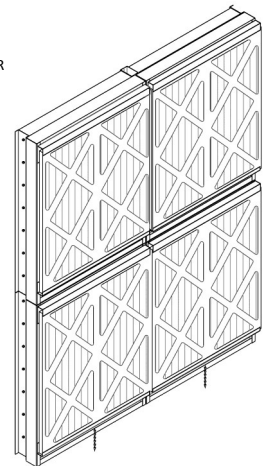
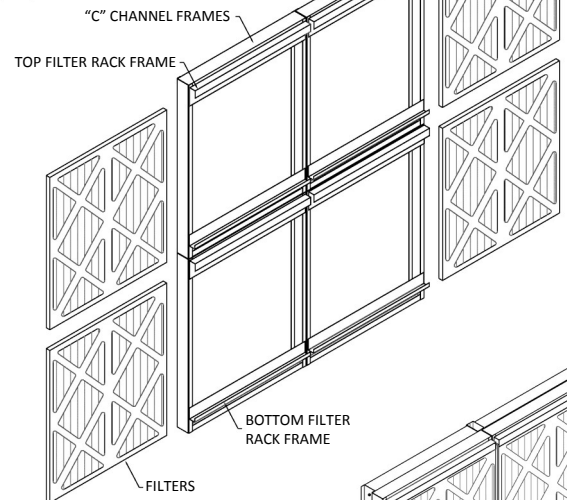
FRAME CONSTRUCTION (X)

- 0.040" Aluminum (A)
- 20 GA Galvanized Steel (S)

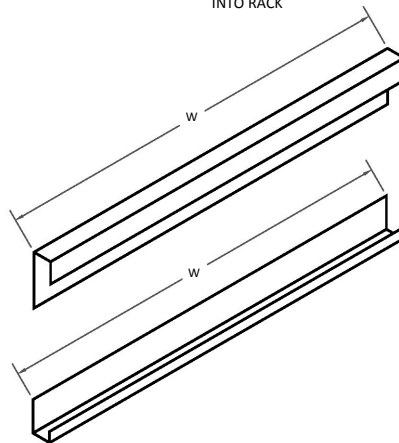
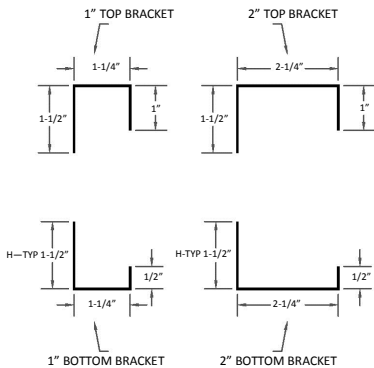
4" DEEP C CHANNEL FRAME
WITH DIMENSIONS MATCH-
ING LOUVER SECTIONS



ADJUSTABLE LOUVER SECTIONS



FILTERS FITTED INTO FRAMES



TAG	QTY	FILTER DEPTH 1" OR 2"	WIDTH "W"	SECTION HEIGHT	MATERIAL—"A" OR "S"	SPECIAL HEIGHT "H" BOTTOM BRACKET

Customer _____

Job Name _____ Model _____

Architect _____ Date _____

