



ADJUSTABLE LOUVER

formed steel with adjustable blades

Model:
AG-4054-X

CONSTRUCTION

- **FRAME:** 4" deep channel, 18 GA galvanized steel
- **BLADES:** 4" deep, 40° angle, 4-1/2" on center, 18 GA galvanized steel
- **SCREEN:** 1/2" Mesh x 19 GA galvanized steel when indicated
- **FINISH:** Mill (with touch-ups on welds) or custom when indicated
- Riveted and/or welded with drip lip, jamb, and sill flanges
- Minimum Panel Size: 12" x 12", Maximum Panel Size: 60" x 96"
- Undersized 1/2" in A & B dimensions providing 1/4" perimeter clearance
- Approximate shipping weight is: 7 lbs. per square foot
- Louvers larger than max listed require field assembly of smaller sections

FEATURES

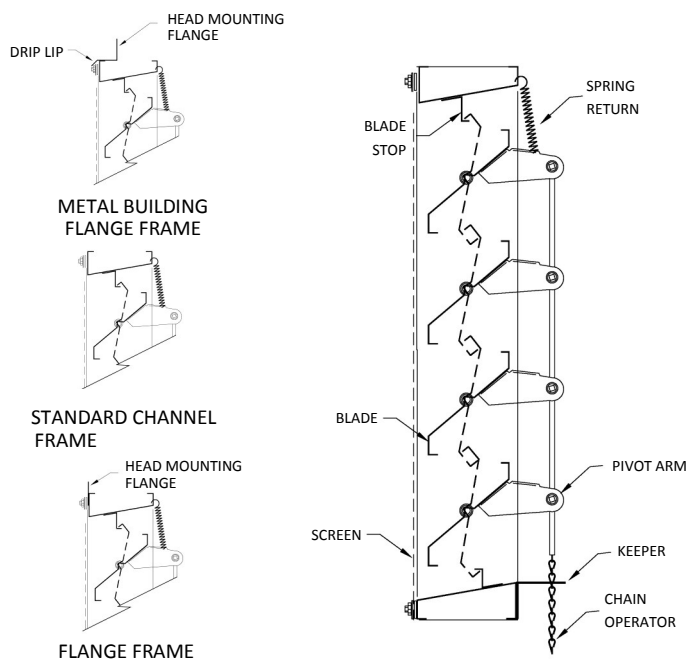
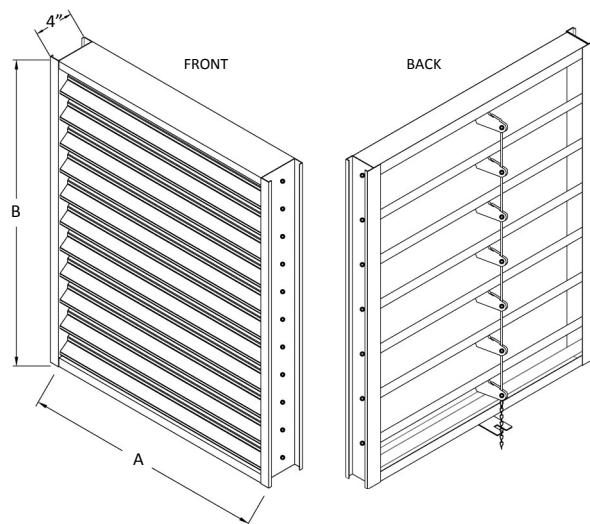
- Free Area and water performance approximately 90% of equivalent stationary model
- Self lubricating bearings

OPTIONS

- Finish options: – Baked polyester – Kynar
- Filter rack with applicable filters
- Security bars
- Insect screen (bird screen is standard)
- Hidden mullions
- Rivet concealment caps
- Welded construction (high wind loads)
- Stainless steel construction
- Motorized operation
- Blade and/or jamb seals

FRAME CONSTRUCTION (X)

- Metal Building Flange Frame (MB)
- Standard Channel Frame (C)
- Flange Frame (F)



TAG	QTY	WIDTH "A"	HEIGHT "B"	FRAME	FINISH	OPTIONS

Customer

Job Name _____ Model _____

Architect _____ Date _____



PERFORMANCE RATINGS

Adjustable blade louver (ag-4054)

LOUVER HEIGHT - INCHES	LOUVER WIDTH - INCHES									
	AA4054	12	18	24	30	36	42	48	54	60
12		0.26	0.44	0.62	0.79	0.97	1.15	1.32	1.50	1.67
18		0.48	0.80	1.12	1.45	1.77	2.09	2.41	2.73	3.05
24		0.63	1.06	1.48	1.90	2.33	2.75	3.17	3.59	4.02
30		0.87	1.46	2.04	2.62	3.20	3.78	4.37	4.95	5.53
36		1.09	1.82	2.55	3.27	4.00	4.73	5.45	6.18	6.91
42		1.24	2.07	2.90	3.73	4.56	5.39	6.22	7.04	7.87
48		1.48	2.47	3.46	4.45	5.43	6.42	7.41	8.40	9.38
54		1.70	2.83	3.97	5.10	6.23	7.37	8.50	9.63	10.76
60		1.85	3.09	4.32	5.56	6.79	8.02	9.26	10.49	11.73
66		2.09	3.48	4.88	6.27	7.67	9.06	10.45	11.85	13.24
72		2.31	3.85	5.39	6.93	8.46	10.00	11.54	13.08	14.62
78		2.46	4.10	5.74	7.38	9.02	10.66	12.30	13.94	15.58
84		2.70	4.50	6.30	8.10	9.90	11.70	13.50	15.30	17.10
90		2.92	4.86	6.81	8.75	10.70	12.64	14.59	16.53	18.48
96		3.07	5.12	7.16	9.21	11.25	13.30	15.35	17.39	19.44

Suggested Specification

Furnish and install louvers as hereafter specified where shown on plans or as described in schedules. Louvers shall be adjustable blade type entirely contained within a 4" frame. Louvers shall have a minimum of 46% free area based on a 48" x 48" size. Louver components (heads, jambs, sills, blades and mullions) shall be factory assembled by the louver manufacturer. Louver sizes too large for shipping shall be built up by the contractor from factory assembled louver sections to provide overall sizes required. Louver design shall limit span between visible mullions to 5 feet and shall incorporate structural supports required to withstand a wind load of 20 pounds per square foot equivalent of a 90 MPH wind. (Specifier may substitute any loading required).

Louvers shall be R&S Model AG-4054 with construction as follows:

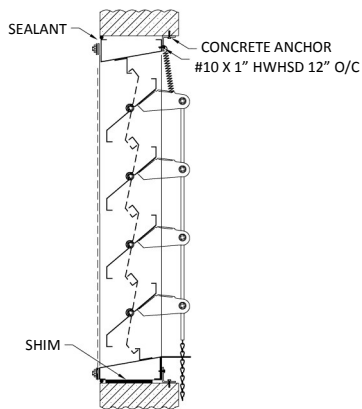
FRAME: 18 GA galvanized steel

BLADES: 18 GA galvanized steel positioned at 40 degrees on 4-1/2" centers

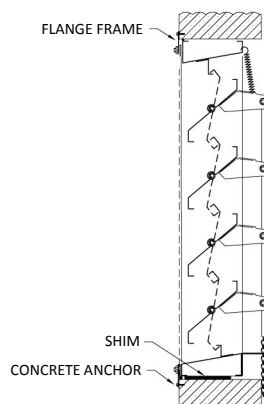
SCREEN: 1/2" Mesh x 19 GA steel bird screen

FINISH: Select finish from baked polyester (powder coat), Kynar, or mill

Masonry Wall



Flange Mount



Metal Building Wall

