



STATIONARY LOUVER

formed aluminum with sightproof blades

Model:
FA-4076

CONSTRUCTION

- **FRAME:** 4" deep channel, 0.080" 5052 H32 aluminum
- **BLADES:** 4" deep, 60° angle, 4" on center, 5052 H32 aluminum
- **SCREEN:** 1/2" Mesh x 0.063" aluminum bird screen when indicated
- **FINISH:** Mill (with touch-ups on welds) or custom when indicated
- Riveted and/or welded with drip lip, jamb, and sill flanges
- Minimum Panel Size: 12" x 12", Maximum Panel Size: 96" x 96"
- Undersized 1/2" in A & B dimensions providing 1/4" perimeter clearance
- Approximate shipping weight is: 4 lbs. per square foot
- Louvers larger than max listed require field assembly of smaller sections

FEATURES

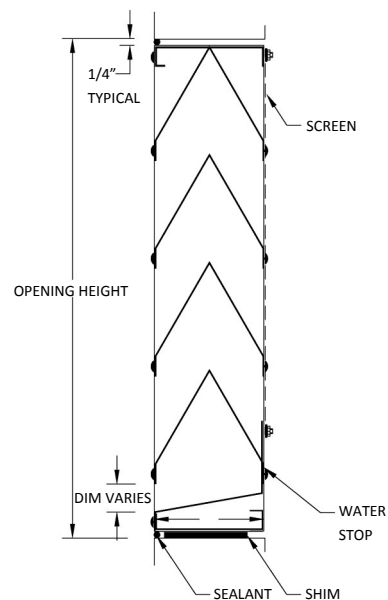
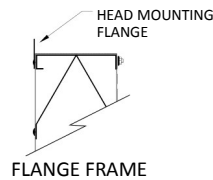
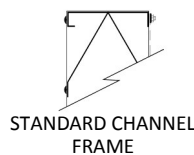
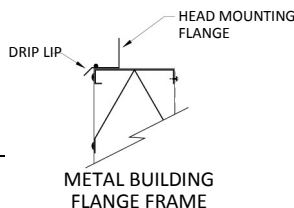
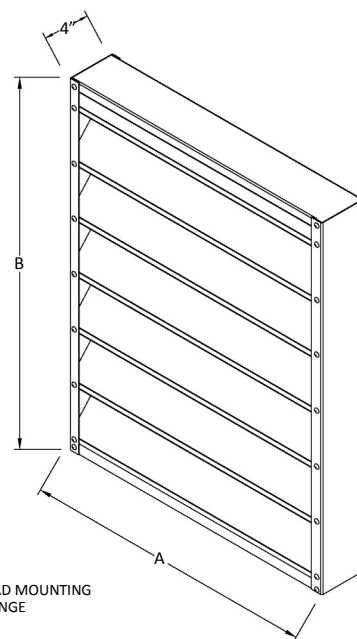
- 38% Free Area
- Sightproof chevron blades to provide privacy, conceal equipment, and act as a safety barrier to dangerous areas
- Aluminum construction resists corrosion and requires little maintenance

OPTIONS

- Finish options: – Baked polyester – Kynar – Anodized
- Filter rack with applicable filters
- Security bars
- Insect screen (bird screen is standard)
- Hidden mullions
- Rivet concealment caps
- Welded construction (high wind loads)
- Stainless steel construction

FRAME CONSTRUCTION (X)

- Metal Building Flange Frame (MB)
- Standard Channel Frame (C)
- Flange Frame (F)



TAG	QTY	WIDTH	HEIGHT	FRAME	FINISH	OPTIONS

Customer

Job Name	Model
Architect	Date



PERFORMANCE RAT-

stationary sightproof blade louver (fa-4076)

Free Area Chart (Square Feet)

		LOUVER WIDTH - INCHES														
LOUVER HEIGHT - INCHES	FA4076	12	18	24	30	36	42	48	54	60	66	72	78	84	90	96
	12	0.31	0.50	0.70	0.89	1.08	1.27	1.46	1.65	1.84	2.03	2.22	2.41	2.60	2.79	2.98
	18	0.50	0.81	1.11	1.42	1.72	2.03	2.33	2.64	2.94	3.25	3.55	3.86	4.16	4.47	4.77
	24	0.57	0.92	1.27	1.61	1.96	2.31	2.65	3.00	3.34	3.69	4.04	4.38	4.73	5.08	5.42
	30	0.94	1.51	2.08	2.65	3.22	3.79	4.36	4.93	5.49	6.06	6.63	7.20	7.77	8.34	8.91
	36	1.06	1.70	2.34	2.98	3.62	4.26	4.90	5.54	6.18	6.82	7.46	8.10	8.75	9.39	10.03
	42	1.25	2.01	2.76	3.52	4.27	5.03	5.78	6.54	7.29	8.05	8.80	9.56	10.31	11.07	11.82
	48	1.32	2.12	2.92	3.72	4.52	5.32	6.12	6.92	7.72	8.52	9.32	10.12	10.92	11.72	12.52
	54	1.51	2.43	3.34	4.26	5.17	6.08	7.00	7.91	8.83	9.74	10.65	11.57	12.48	13.40	14.31
	60	1.79	2.87	3.95	5.03	6.11	7.18	8.26	9.34	10.42	11.50	12.58	13.66	14.74	15.82	16.90
	66	2.01	3.22	4.43	5.64	6.85	8.06	9.27	10.48	11.69	12.90	14.11	15.33	16.54	17.75	18.96
	72	2.07	3.33	4.58	5.83	7.08	8.34	9.59	10.84	12.10	13.35	14.60	15.85	17.11	18.36	19.61
	78	2.26	3.63	5.00	6.37	7.73	9.10	10.47	11.83	13.20	14.57	15.94	17.30	18.67	20.04	21.40
	84	2.51	4.03	5.55	7.06	8.58	10.10	11.61	13.13	14.65	16.16	17.68	19.20	20.72	22.23	23.75
	90	2.75	4.42	6.08	7.74	9.40	11.07	12.73	14.39	16.06	17.72	19.38	21.04	22.71	24.37	26.03
	96	2.83	4.53	6.24	7.94	9.65	11.35	13.06	14.77	16.47	18.18	19.88	21.59	23.29	25.00	26.71

Suggested Specification

Furnish and install louvers as hereafter specified where shown on plans or as described in schedules. Louvers shall be stationary sightproof type entirely contained within a 4" frame. Louvers shall have a minimum of 38% free area based on a 48" x 48" size. Louver components (heads, jambs, sills, blades and mullions) shall be factory assembled by the louver manufacturer. Louver sizes too large for shipping shall be built up by the contractor from factory assembled louver sections to provide overall sizes required. Louver design shall limit span between visible mullions to 8 feet and shall incorporate structural supports required to withstand a wind load of 20 pounds per square foot equivalent of a 90 MPH wind. (Specifier may substitute any loading required).

Louvers shall be R&S Model FA-4076 with construction as follows:

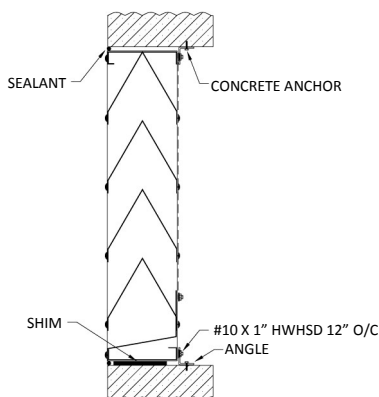
FRAME: 0.080" 5052 H32 aluminum

BLADES: 0.080" 5052 H32 aluminum positioned at 60 degrees on 4" centers

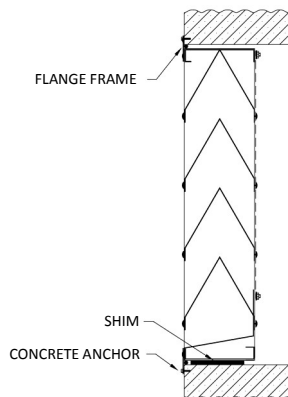
SCREEN: 1/2" Mesh x 0.063" aluminum bird screen

FINISH: Select finish from baked polyester (powder coat), Kynar, anodized, or mill with touch-ups on welds

Masonry Wall



Flange Mount



Metal Building Wall

